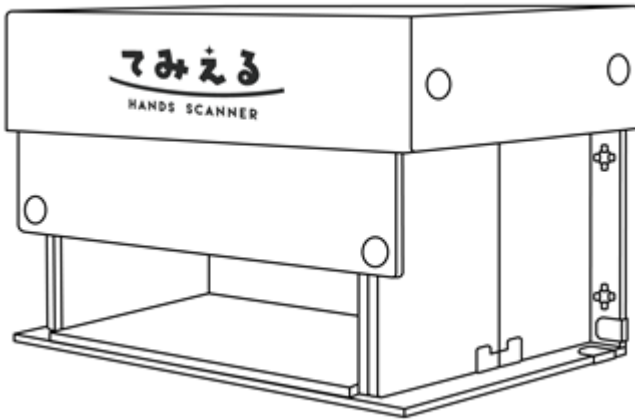


# Temieru Instruction Manual



English

ver1.0

Please keep this manual and warranty.

## To customers

Thank you for purchasing the Temieru hands scanner. This is the world's first device to visualize and digitize the results of hand washing, developed to promote correct hand washing. Before use, please read this instruction manual carefully to understand the device fully and ensure it is used properly and safely.



## Cautions



This product uses an ultraviolet lamp. Avoid looking directly at the lit lamp. It may hurt your eyes.



Do not connect or disconnect the power plug or USB plug with wet hands. Also, avoid using the device in places where it will be directly exposed to water. There is a risk of electric shock.



Do not disassemble, repair or modify the product, as that poses a risk of fire or electric shock. If a failure occurs, please contact Footech Service Inc. See page 7.



The lamp may become hot. Be careful not to burn yourself while it is on or immediately after being turned off.

## Download inspection software

This device requires special inspection software. Download the inspection software from the following site and install it on the PC that will be connected to the device.

<https://www.temieru.com/download/>

Compatible PC: Windows 10 (Home or Pro); RAM: at least 4 GB; HDD (free space): at least 5GB  
Screen 12.5 inches or more

Inspection software authentication password

Displayed only for distribution to purchasers of equipment.

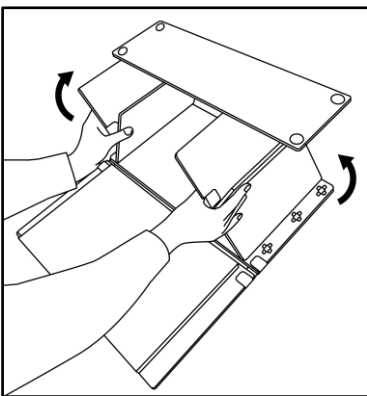
## This product package includes:

- Hand washing inspection device (Temieru)
- Storage case (including the key and belt strap)
- Instruction manual (this booklet), with warranty and inspection software authentication code
- Special lotion for Temieru

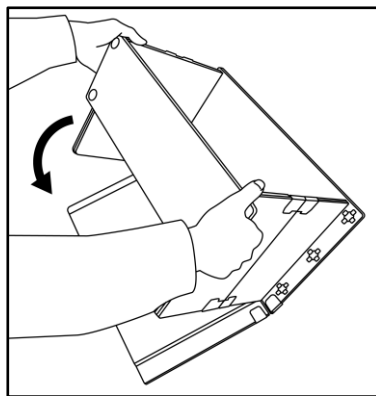
\*Only the first package of lotion is included. Please contact a sales outlet for additional purchases.

## Assemble the device

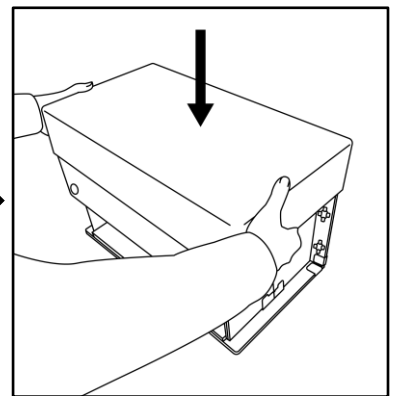
1. Remove the folded main unit and light / camera unit from the case.
2. Assemble according to the figure below.



Raise the folded surface, stop the magnet and make the side of the box.



Raise the sides, cover the table and stand up the box.



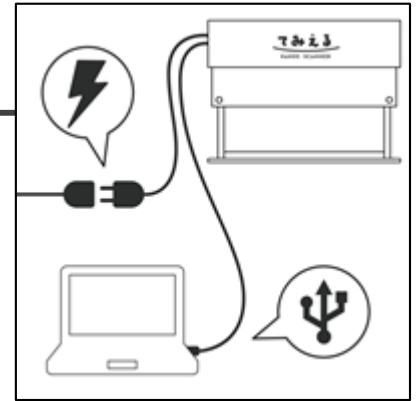
Put the light / camera unit on the assembled box like a lid.

# Inspect hands for unwashed parts

## 1 Plug in and connect the USB

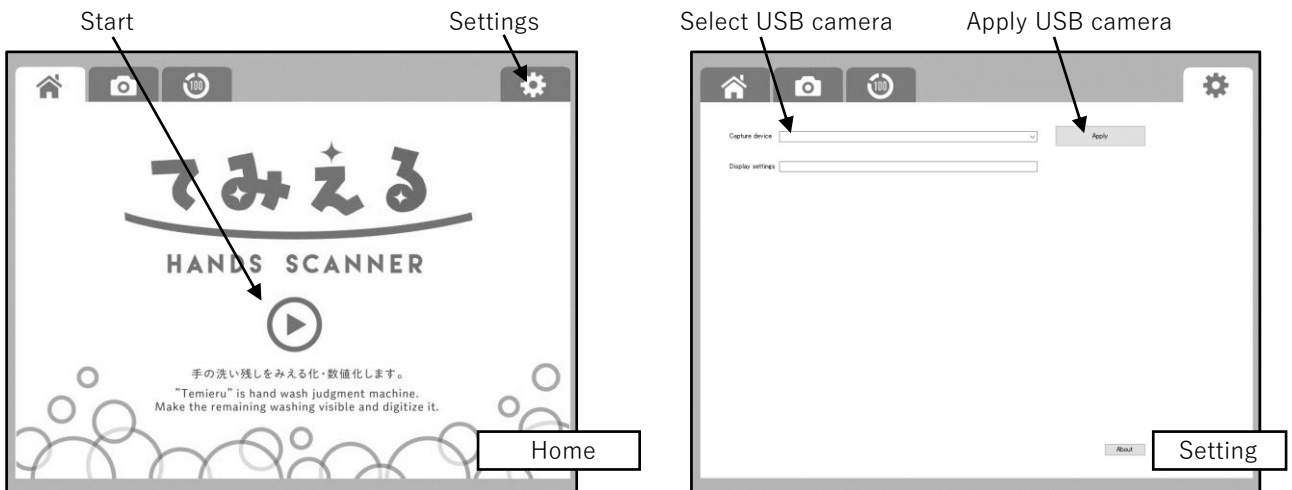
Once the device is assembled, connect the power cable to the power supply and connect the USB cable to the PC.

After plugging in the device, make sure that the UV light goes on.



## 2 Launch the inspection software

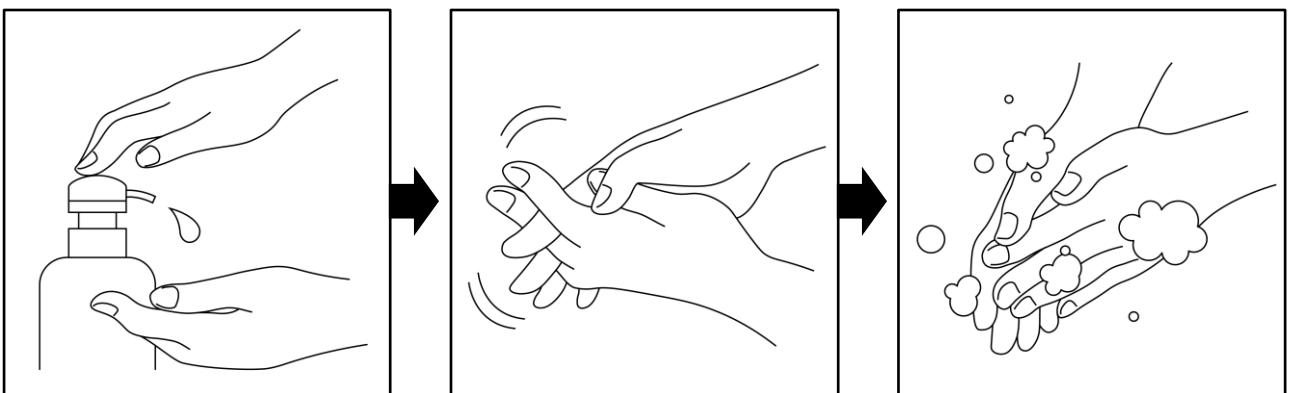
When starting up for the first time, you need to select a camera. Please select a working USB camera in the settings.



## 3 Prepare for inspection

The subject should push the dispenser to receive lotion and then apply it all over both hands. Applying the lotion all over the front and back of the hands and between fingers leads to a correct inspection.

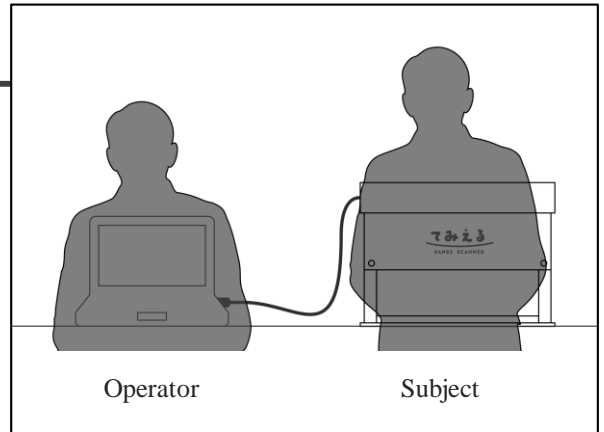
Then, wash the hands as usual.



# Inspect hands for unwashed parts

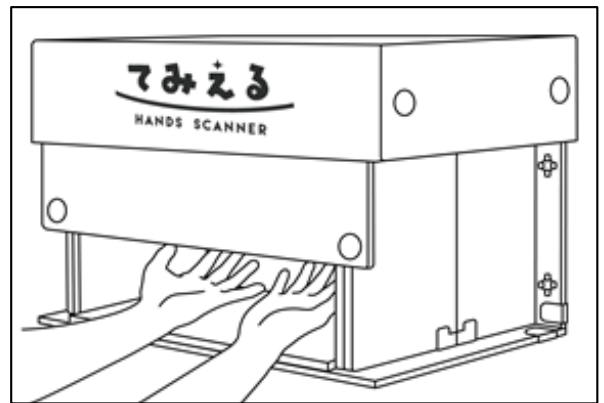
## 4 Photograph the hands

When the hands are ready, they can be photographed. The operation of the PC must be performed by a person other than the subject.



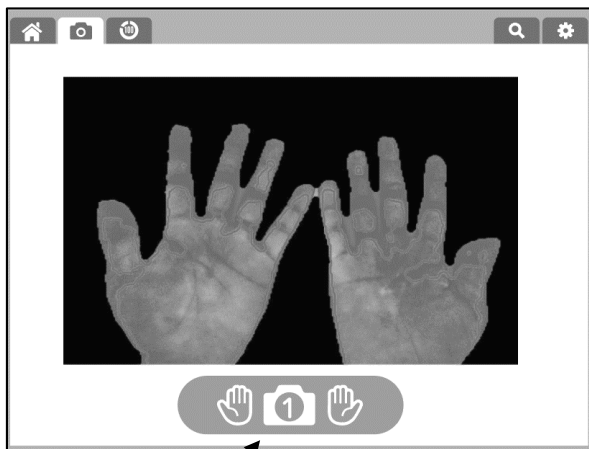
The subject should put their hands in the opening of the device.

The operator should check the camera image on the PC screen and then click the shooting button.



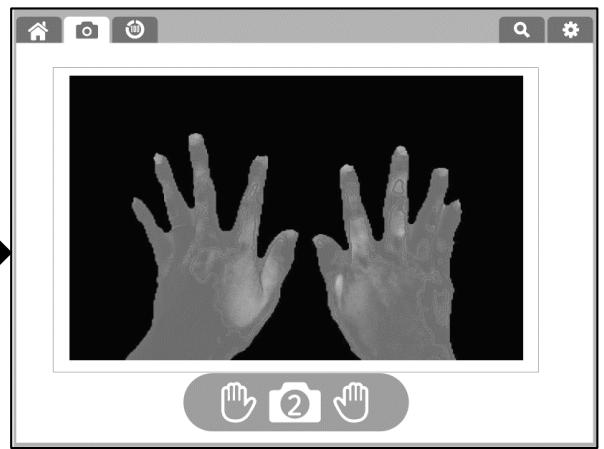
Once the front of the hands has been photographed, instruct the subject to turn their hands over and photograph the back of the hands.

When the shooting is completed, the measurement results will be displayed.



Shooting button

Front image

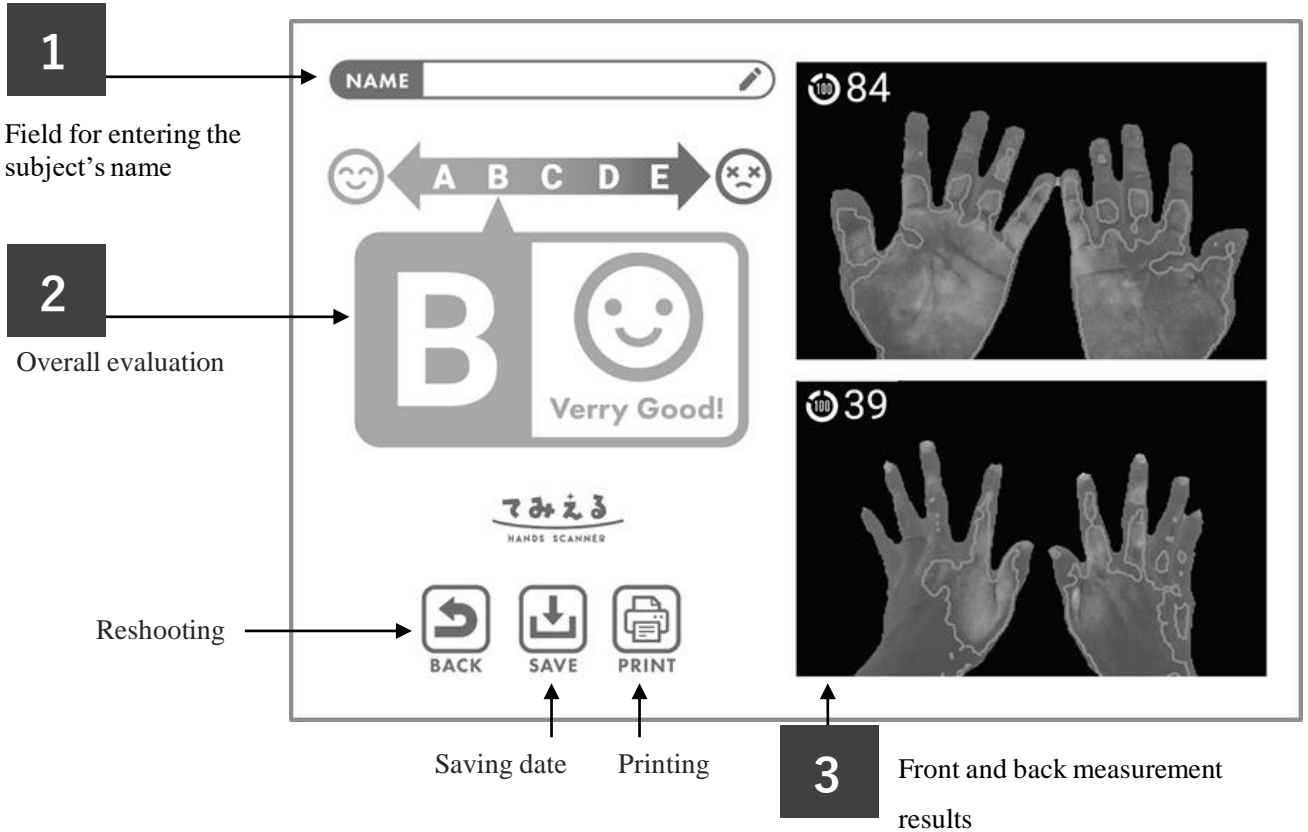


Back image

The parts that glow blue and are surrounded by a yellow-green frame on the shooting screen are the visualized unwashed parts.

The fluorescent substance contained in the special lotion responds to the ultraviolet light and is measured to highlight the parts missed by washing.

# Measurement results



**1** When the measurement results are obtained, you can choose to enter the subject's name, if you wish.

**2** Overall evaluation is displayed in the following five grades A to E.  
A : Excellent B : Very Good C : Good D : Poor E : Very Poor

**3** The application measures the area left unwashed and its brightness.  
And digitize up to 100.



## Ratio of unwashed area

Measures the area of your hand and automatically calculates the percentage of the area that remains dirt.

## Luminance of unwashed parts

The more dirt, the stronger and brighter.

Automatically measures brightness.

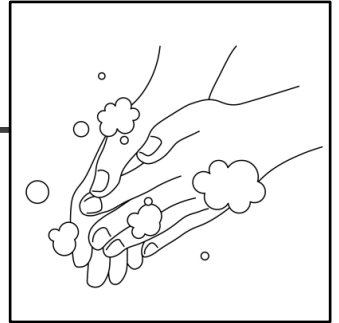
**If your hands are clean, your score will be high.**

# Hand washing instructions

In the measurement results of Temieru, the unwashed parts appear to glow. To wash the glowing parts well, refer to the washing method below.

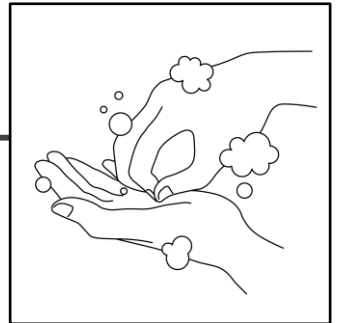
## 1 In cases where the whole hands glow

This means the hands are not washed well. Use hand soap and take at least 30 seconds for washing and at least 15 seconds for rinsing.



## 2 In cases where areas around the nails glow

Scrub the nails with the palm of your other hand..



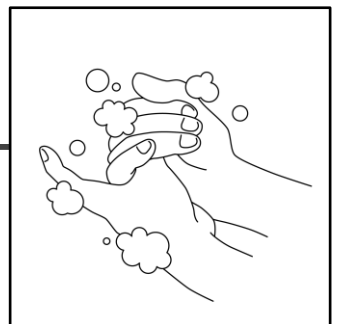
## 3 In cases where areas between the fingers glow

Interlock the fingers and scrub the areas between the fingers firmly.



## 4 In cases where the thumbs glow

Hold a thumb and rotate and wash it well.



## 5 In cases where the backs of the hands glow

Put the palm of a hand and the back of a hand together to scrub them.



## Care of the device

- If the special lotion adheres to the device, it may cause incorrect measurements and the correct value may not be obtained. Please wipe the lotion off with a soft cloth or paper.
- Wipe the camera lens and light with particular care. Scratches may cause incorrect measurements.
- The life of the light is 30,000 hours. Lights cannot be replaced.

## Failure?

Problem	Response
The light doesn't go on.	Check whether the power plug is firmly inserted into the outlet. Check whether the cable is not disconnected from the light.
The camera doesn't work.	Check whether the USB cable is securely inserted.
The device is unstable.	Assemble it according to the assembly method on page 3 of this booklet.

If there are other abnormalities, contact the manufacturer below.

## Manufacturer



**Footech Service Inc.**

<http://www.footech-s.com>

Shinoro 6-3-7-3, Kita-ku, Sapporo, Hokkaido, Japan ☎002-8026

Tel.: +81-11-555-8569 Fax: +81-11-206-6705 E-mail: [info@temieru.com](mailto:info@temieru.com)

## Specifications

Body dimensions	W 470 mm D 355 mm H 150 mm
UV light wavelength	395 – 400 nm
Input voltage	Light: AC 90 V – 265 V/50-60HZ Camera: DC 5 V (from PC)
Total power consumption	Approx. 2.5W
Life of lamp	30,000 hours
Operating environment	Temperature: 5°C – 40°C, humidity: 20% – 80% (with no condensation)

# Warranty and After-sales Service

## Temieru Warranty

The warranty period is one year from the date of purchase.

The warranty requires the following two items. Please keep them in a safe place.

- (1) This warranty
- (2) Item with which the date of purchase can be confirmed (delivery slip, printed webpage at the time of purchase, etc.)

Model code	
Date of purchase	
Customer	Name
	Address
	Telephone number
Sales outlet	Name
	Address
	Telephone number

### Details of warranty

- (1) Any defect of the product during the warranty period will be handled by replacing the product or parts.
- (2) The following cases are not covered even during the warranty period.
  - 1) Damage due to a fire or natural disaster
  - 2) Failure or damage due to incorrect use, improper repair or modification
- (3) This warranty will not be reissued. Please keep it in a safe place.
- (4) This warranty is valid only in Japan. Consult with the manufacturer when using it overseas.



**HANDS SCANNER**

Trademark registered, patent pending